



## MCL400P

### Great optical efficiency

The MCL400P is a compact LED marine lantern of long range, with built-in solar power, characterized by great optical efficiency and low consumption, made up of LED diodes of high intensity, reaching a nominal range of 14 nautical miles.

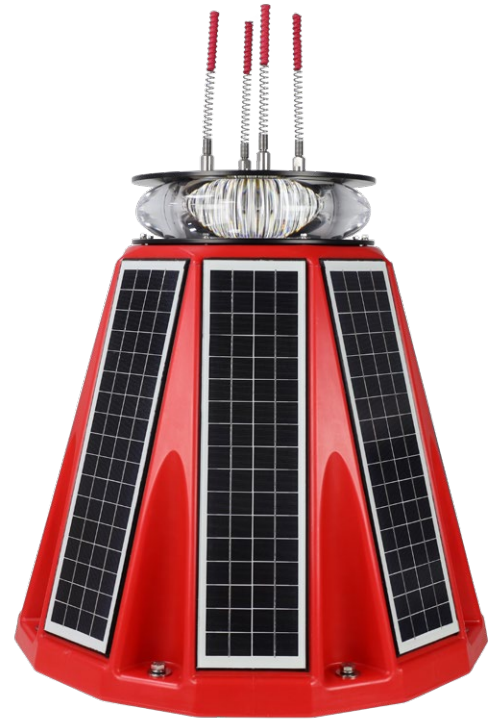
### Multiple remote control options

This lantern is ready to integrate different remote monitoring systems through GSM, UHF or satellite communications. It also has the possibility of fitting AIS AtoN devices and being monitored through this system.

### Enhanced energy performance

The MCL400P has been designed to optimise the capture of solar energy through the arrangement of eight slightly-inclined solar panels that receive sun radiation from every angle. Furthermore, the polyethylene structure not only offers great resistance but also lightness. This lantern is ideal for fixed and floating installations such as canals, jetties, river mouths or offshore structures.

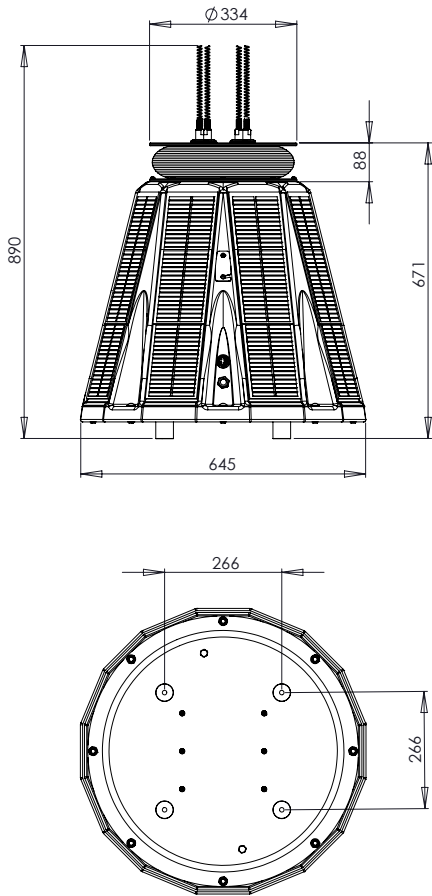
Designed according to IALA Recommendations.



## FEATURES

- High-efficiency luminous system. Up to 14 nm ( $T=0.74$ ).
- Vertical divergence up to  $2^\circ$  ( $50\% I_0$ ).
- $360^\circ$  horizontal output.
- Average operation lifetime over 10 years.
- IP 68 watertightness degree (immersion resistant).
- Double RS-232 serial port for setting adjustments by PC and remote monitoring system.
- Programming, configuration and operating status via PC, Bluetooth or IR programmer as an option.
- Ready to integrate remote monitoring via GSM, UHF or satellite, synchronization via GPS or AIS AtoN module.
- Autonomy without solar charging up to 550 hours.
- Automatic energy management, according to latitude.
- 8 nos. solar modules of 9.1 W each.
- Base made of polyethylene.

# MCL400P



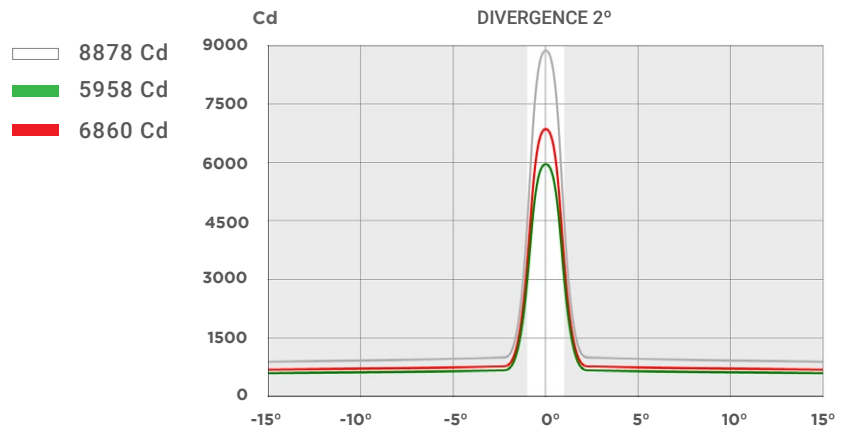
## Technical features

<b>Light source:</b>	36 Ultra-bright LED diodes.
<b>LED average life:</b>	More than 100,000 hours.
<b>Flash rhythms:</b>	256 rhythms (6 nos. user selectable).
<b>Solar module:</b>	8 nos. of 9.1W.
<b>Battery:</b>	Up to 78 Ah, Lead Crystal®, maintenance-free.
<b>Base:</b>	Polyethylene.
<b>Lens cover:</b>	UV stabilised methacrylate.
<b>Watertightness degree:</b>	IP 68.

## Options

- Infrared (IR) programmer.
- Programming cable + MFCOM.
- Tool kits.
- Spare parts kits.
- Fixings / levelling (other metrics) kits.
- Hoisting kit.
- Synchronization via cable.
- Other specifications available under request.
- Other battery capacities available.
- MCL400-SYNC (GPS synchronization).
- MCL400-TG (GSM remote control).
- MCL400-TR (Radio remote monitoring).
- MCL400-TS (Satellite remote monitoring).
- MCL400-AIS (Type 1 or Type 3 AIS AtoN).

## Peak intensities (Cd)



Specifications subject to change without previous notice.

Luminous ranges will be affected depending on latitude, flash rhythms and chosen options.