



MCL250N

Wreck-marking

The MCL 250N is an autonomous LED beacon with high luminous efficiency and low consumption, consisting of 12 high intensity LED diodes on two levels, one in amber, another in blue; specially designed to signal wrecks and new hazards in accordance with IALA - AISM Recommendation No. O-133 of December 2005.

Wide remote control options

This lantern is ready to integrate different remote monitoring systems through GSM, UHF or satellite communications. It also has the possibility of fitting AIS AtoN devices and being monitored through this system

Battery life over 750h

With a wide range of battery capacities up to 66 Ah, the MCL250N lantern has a battery life over 750 hours of autonomy, which allows to ensure the lantern performance and its wide range of supplementary equipment included, in the harshest conditions.

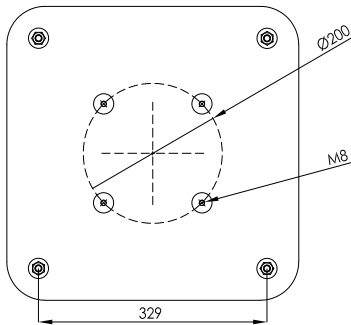
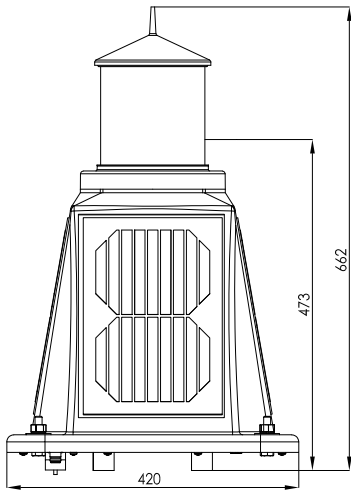
Designed according to IALA Recommendations.



FEATURES

- *High-efficiency luminous system.*
5 nm ($T=0.74$), 6 nm ($T=0.85$).
- *Vertical divergence of 12° (50% I_0).*
- *360° horizontal output.*
- *4 nos. solar modules of 7.5 W each.*
- *Average operation lifetime over 10 years.*
- *IP 68 watertightness degree (immersion resistant).*
- *Double RS-232 serial port for setting adjustments by PC and remote monitoring system.*
- *Programming, configuration and operating status via PC, Bluetooth or IR programmer as an option.*
- *Ready to integrate remote monitoring via GSM, UHF or satellite, synchronization via GPS or AIS AtoN module.*
- *Autonomy without solar charging up to 750 hours.*
- *Automatic energy management, according to solar radiation.*
- *PATENTED OPTICAL SYSTEM.*

MCL250N



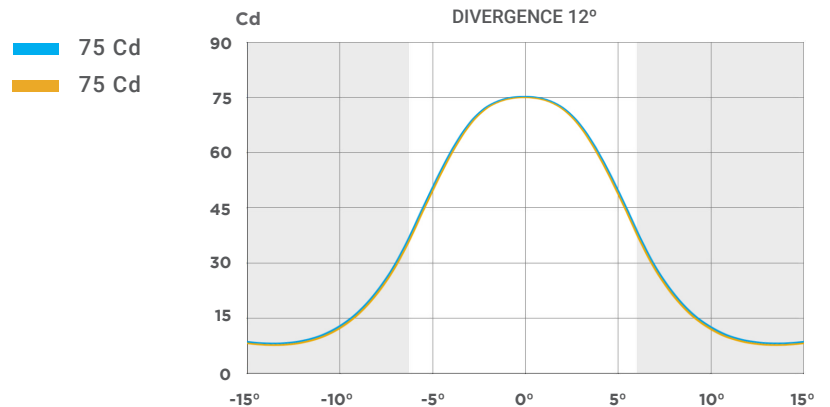
Technical Features

Light source:	Ultra-bright LED diodes, with high-precision acrylic lenses.
LED average life:	More than 100,000 hours.
Flash rhythms:	256 rhythms (user selectable).
Solar module:	4 no. of 7.5 W.
Battery:	Up to 66 Ah, Lead Crystal®, maintenance-free.
Base:	Reinforced polyamide and polyamide and rotomoulded polyethylene.
Lens cover:	UV stabilized acrylic.
Watertightness degree:	IP 68.

Options

- Infrared (IR) programmer.
- PC programming kit.
- Fixing kit for 4 bolts in a 200 mm diameter.
- Other specifications available under request.
- MCL250N-SYNC (GPS synchronization).
- MCL250N-TG (GSM remote control).
- MCL250N-TR (Radio remote monitoring).
- MCL250N-TS (Satellite remote monitoring).
- MCL250N-AIS (AIS AtoN).

Peak intensities (Cd)



Specifications subject to change without previous notice.

Luminous ranges will be affected depending on latitude, flash rhythms and chosen options.